

10kA



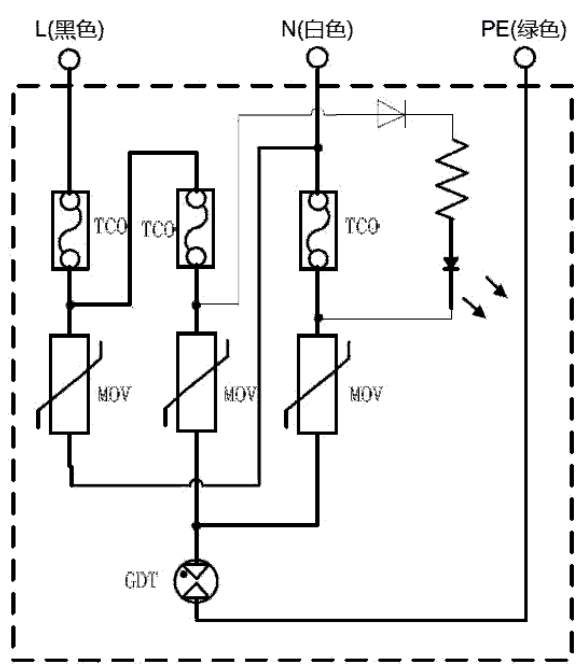
	100 Vac		277 Vac	
	-	-	320 Vac	
	47 Hz	-	63 Hz	
s)	-	-	10 kA	
15 kA 10 kA 3 kA 1 kA	1 15 100 500	- - - -	- - - -	

	-40 °C	-	+50 °C	PU-20KD10KTTN PU-20KD10KTVA PU-20KD10KTSL PU-20KD10KTSL-FT01
	-40 °C	-	+85 °C	PU-20KS10KTTN PU-20KS10KTVA
(-40 °C	-	+85 °C	
	-10 °C	-	+40 °C	

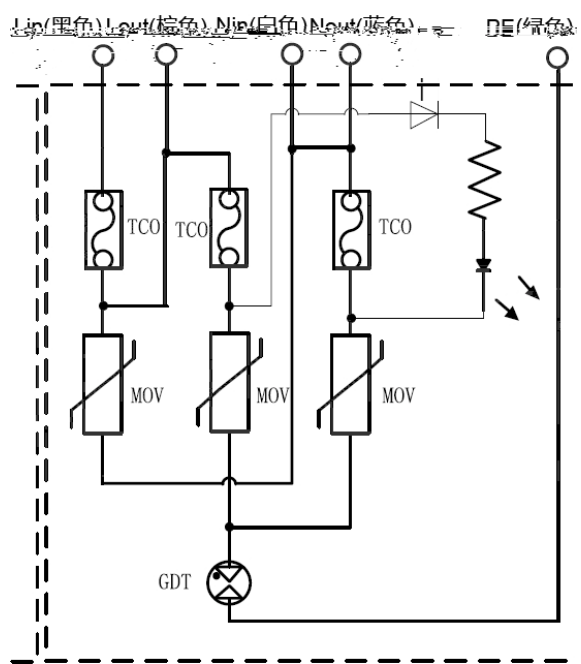
UL	UL 1449: Transient Voltage Surge Suppressors
CE/DEMKO	EN 61643-11: Surge protective devices connected to low-voltage power distribution systems - Requirements and testing methods
IEEE C62.41	Guide on the Surge Environment in Low-Voltage (1000 V and Less) AC Power Circuits



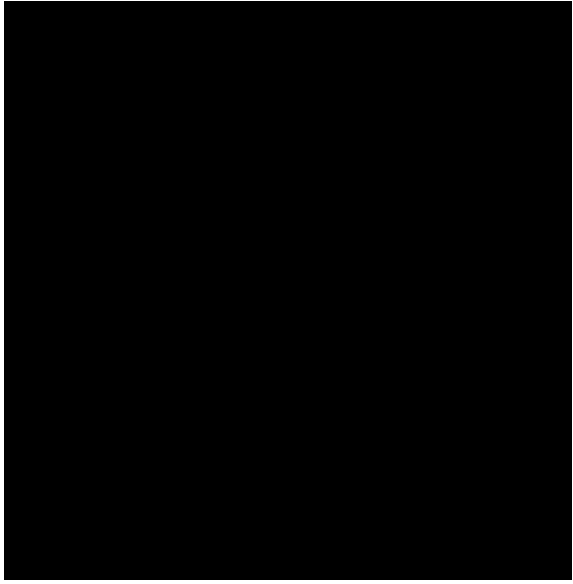
PU-20KS10KTVA



PU-20KD10KTVA

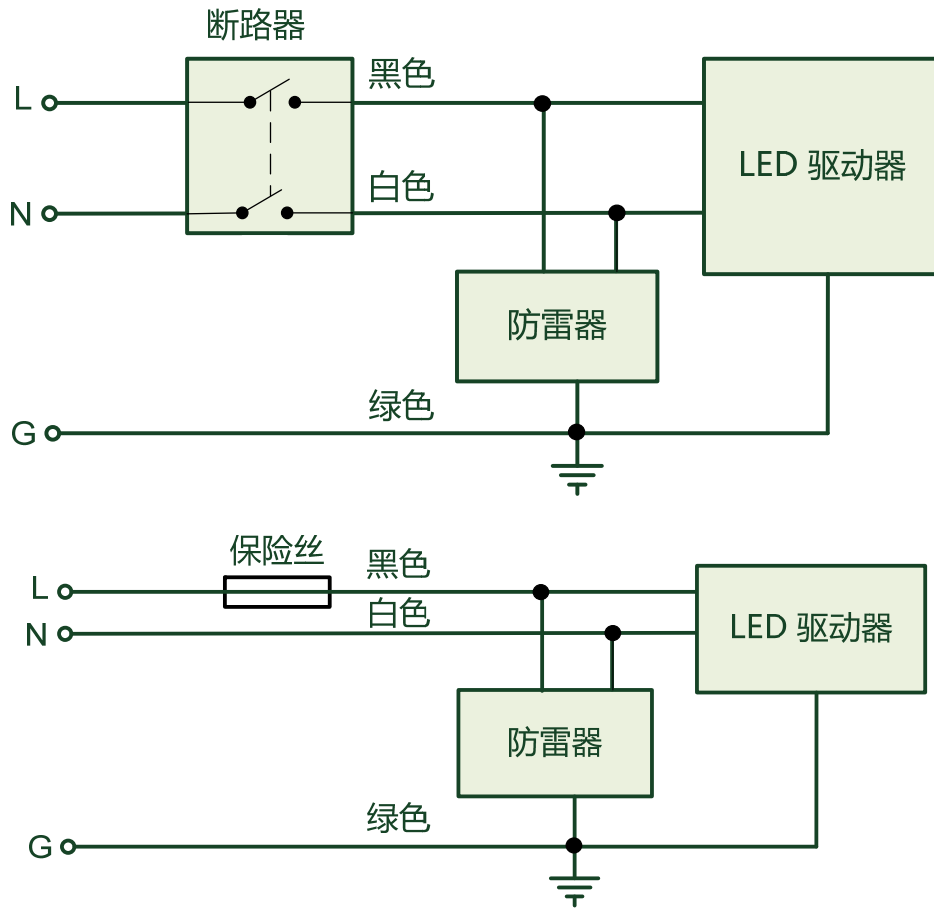


PU-20KD10KTSL/PU-20KD10KTSL-FT01



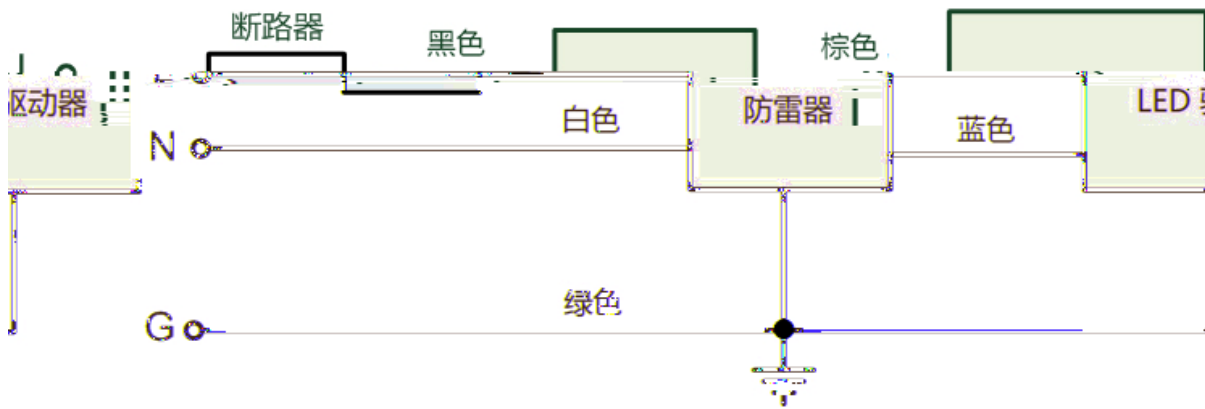
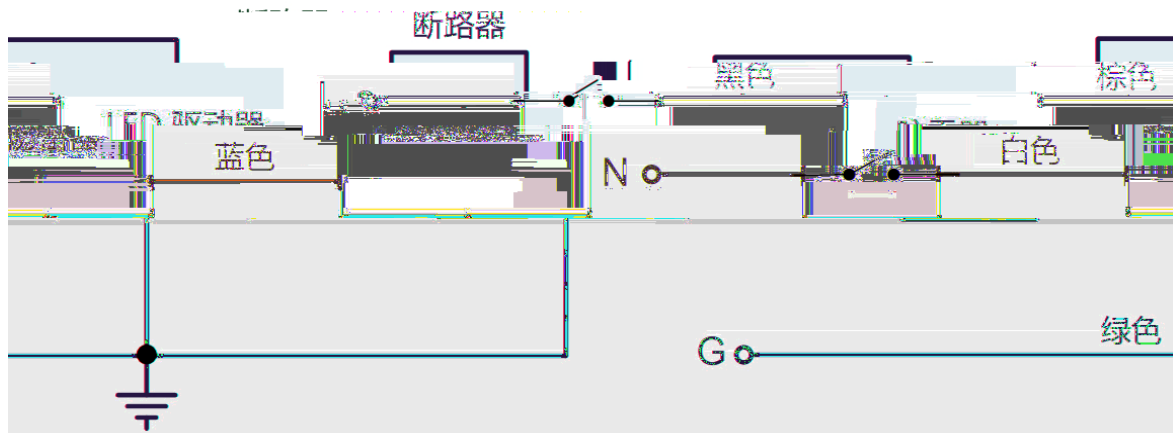


PU-20KS10KTTN & PU-20KS10KTVA

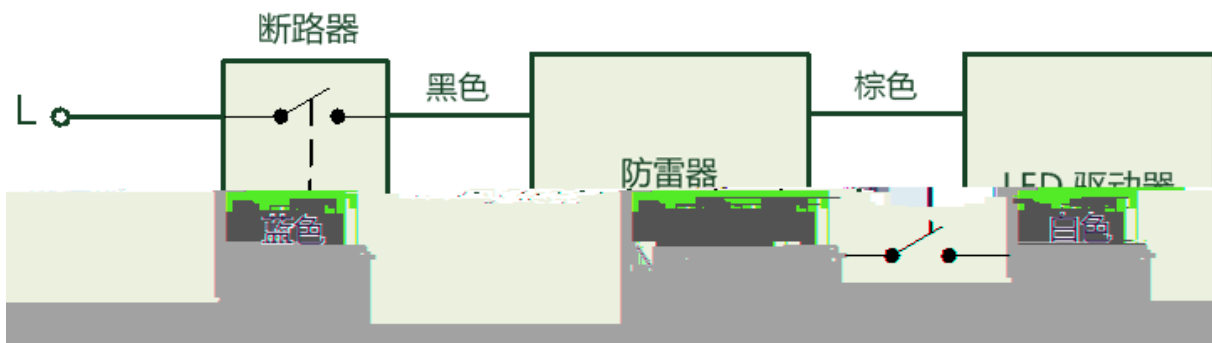




PU-20KD10KTTN & PU-20KD10KTVA

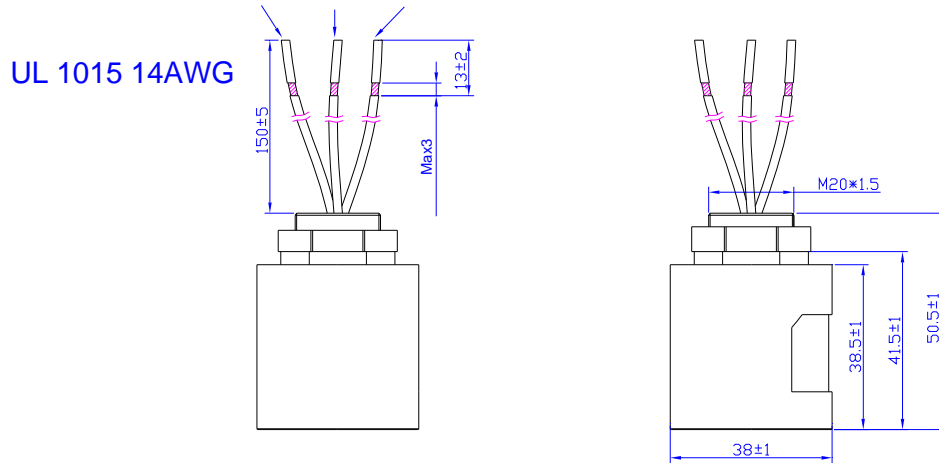


PU-20KD10KTSL/ PU-20KD10KTSL-FT01

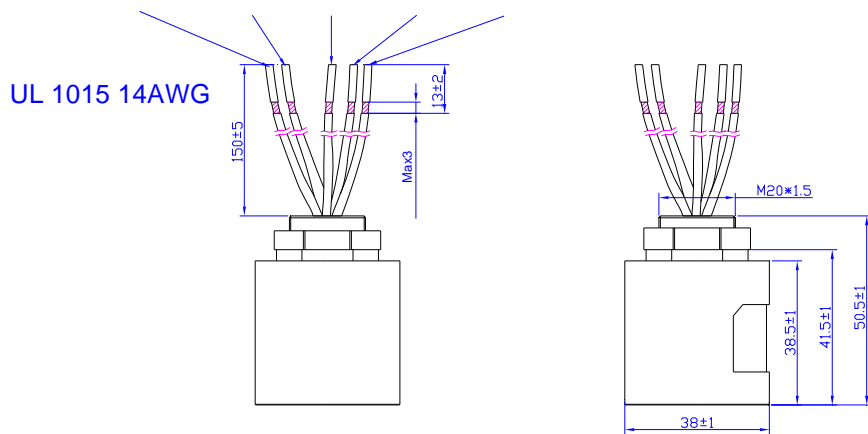




PU-20KS10KTTN

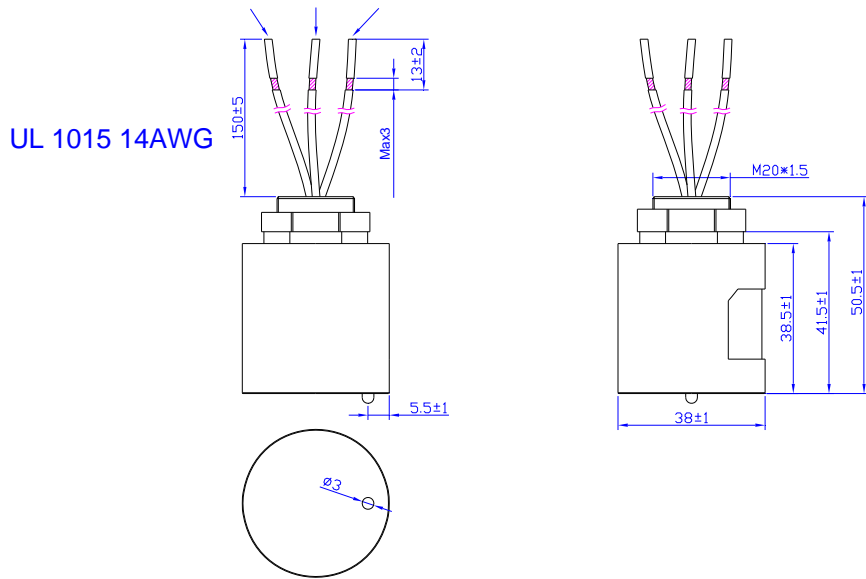


PU-20KD10KTTN

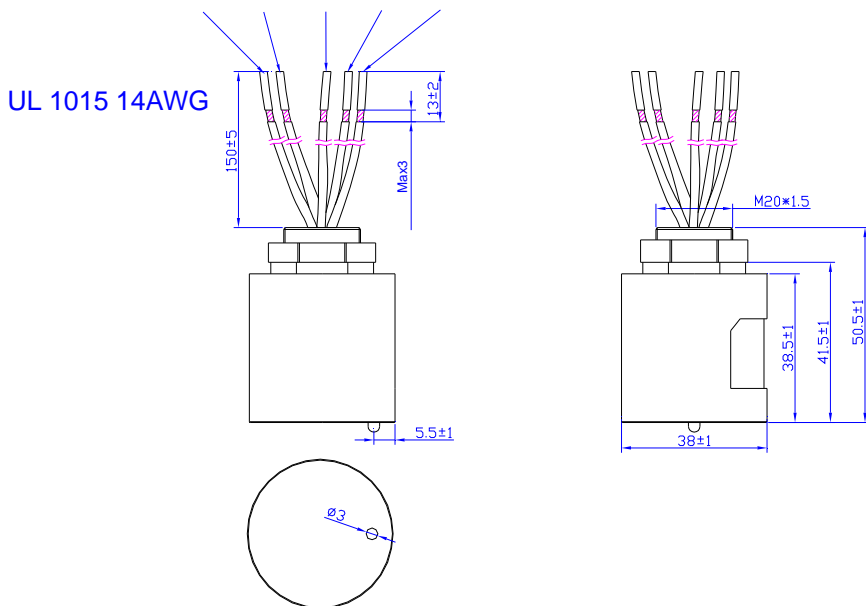




PU-20KS10KTVA

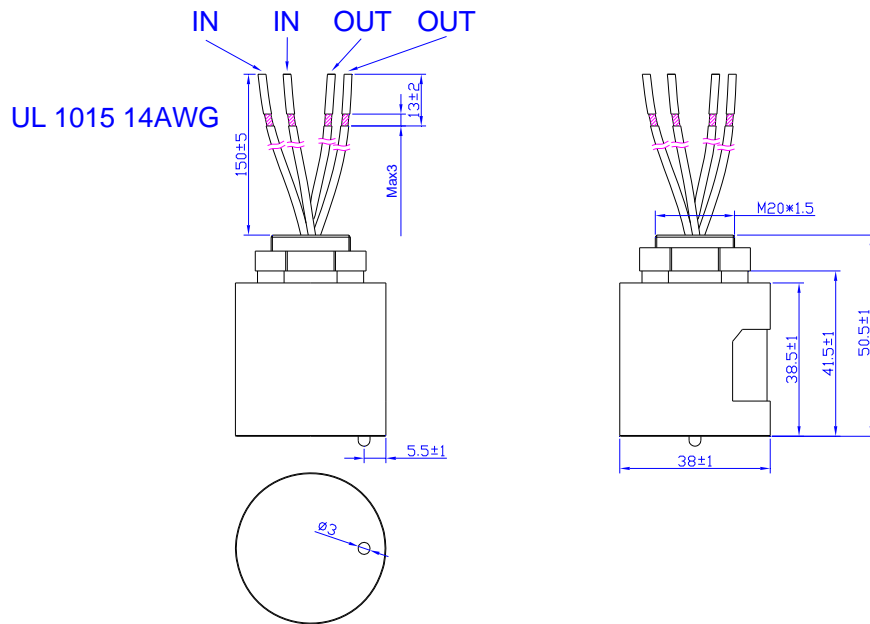


PU-20KD10KTVA

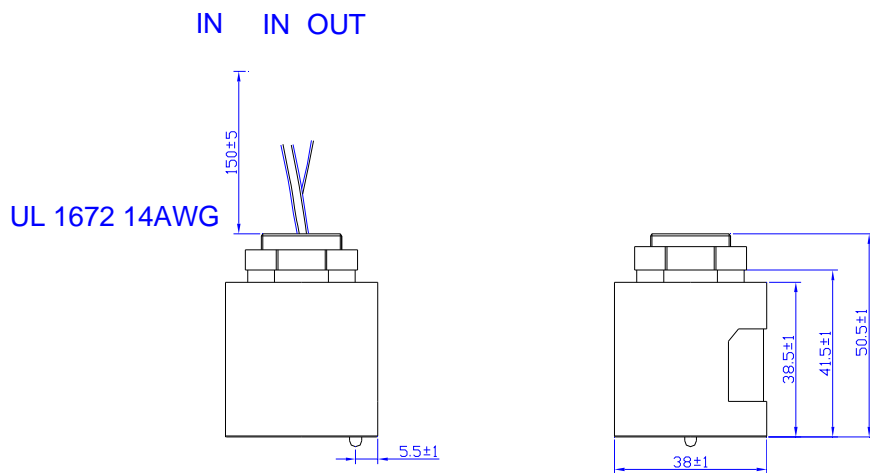




PU-20KD10KTSL

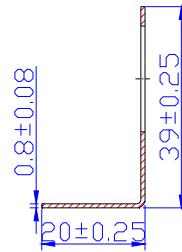
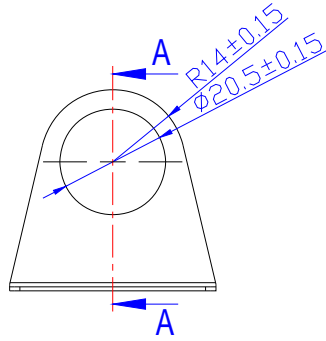


PU-20KD10KTSL-FT01

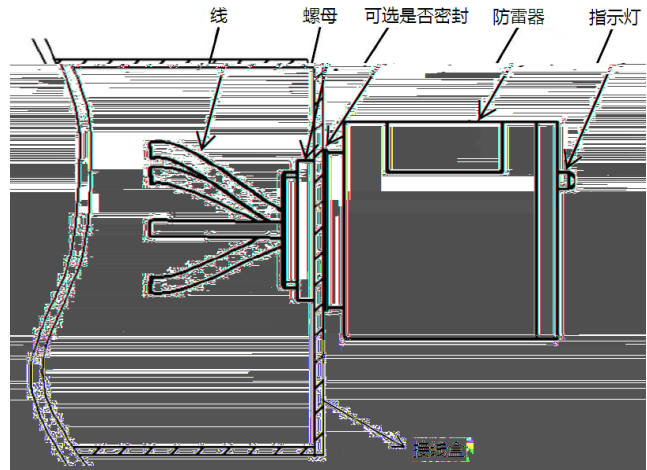
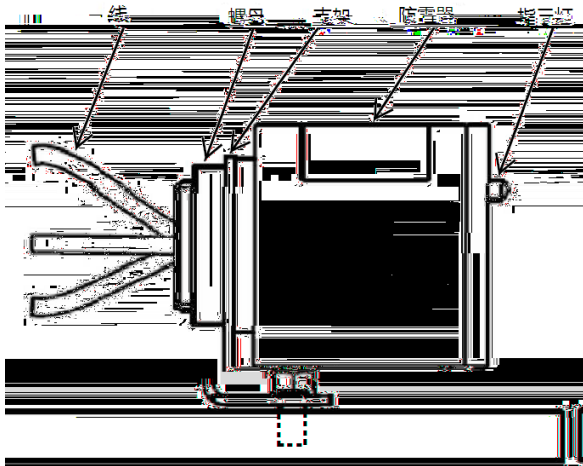
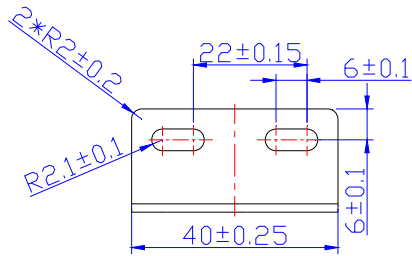




BRU-20KS10KT



A-A Section View





2014-04-25	A		/	/
2014-11-15	B	CE/ DEMKO	NA	CE/ DEMKO
2015-04-24	C	PU-20KD10KTTN	/	
		PU-20KD10KTVA	/	
2015-08-31	D			
2018-01-12	E			
2018-04-26	F			