

- 347 Vac maximum working input voltage
-

The PY-20KS10KTTN is designed to be used in conjunction with LED Drivers to provide an additional level of surge and transient protection.

| | | | | | | | | |
|---------|-------|-------|--------|---|---|---|---------------|------------------|
| | | | | | | | | |
| 347 Vac | 10 kA | 15 kA | 2000 V | N | N | / | PY-20KS10KTTN | UL |
| / | / | / | / | / | / | / | BRU-20KS10KT | (none – bracket) |

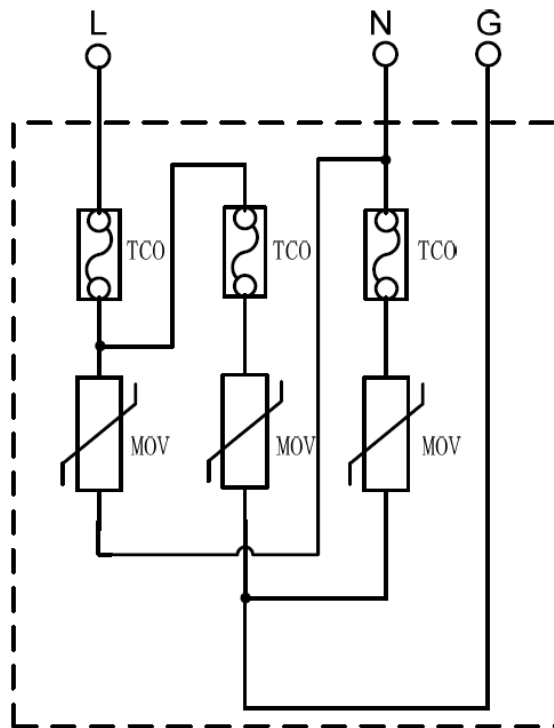
(1) The BRU-20KS10KT is a optional bracket which used to fix the surge protector to the housing and it can be ordered separately.

| | | | | |
|------------------------------------------|-------|---------|---------|---|
| | | | | |
| Rated Voltage | - | 347 Vac | - | |
| Max. Continuous Operating Voltage (MCOV) | - | - | 420 Vac | |
| Input Frequency | 47 Hz | - | 63 Hz | |
| Nominal Discharge Current In(8/20 s) | - | - | 10 kA | |
| Number of Surges | 15 kA | 1 | - | - |
| | 10 kA | 15 | - | - |
| | 3 kA | 100 | - | - |
| | 1 kA | 500 | - | - |

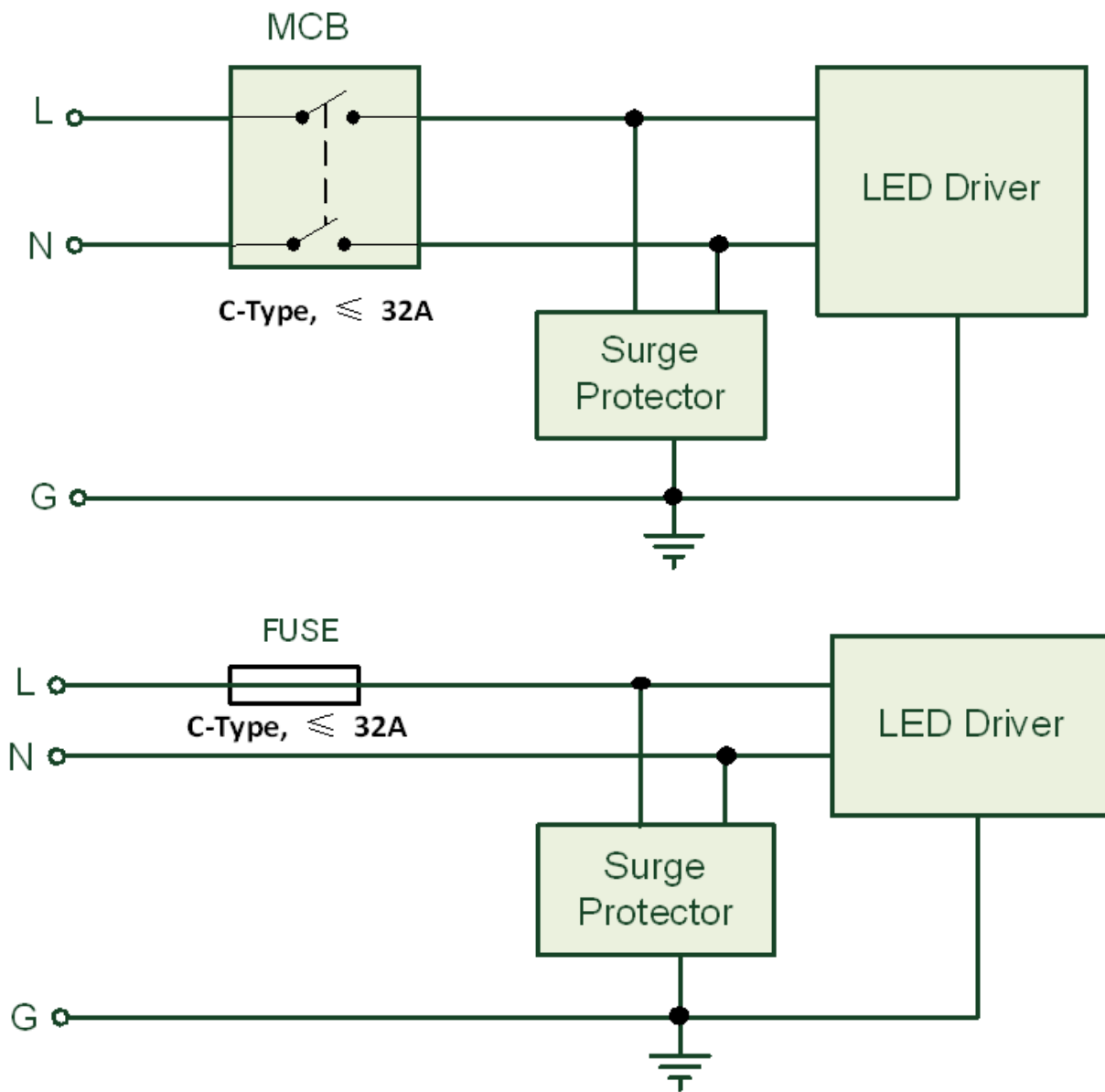
| | | | | |
|----------------------------------------------|-------|---|-------|-------------------|
| | | | | |
| Operating Temperature | -40°C | - | +85°C | |
| Storage Temperature and humidity(≤24 hours) | -40°C | - | +85°C | Humidity: ≤ 75%RH |
| Recommended Storage Temperature and Humidity | -10°C | - | +40°C | Humidity: ≤ 75%RH |

| | |
|-------------|-----------------------------------------------------------------------------------|
| | |
| UL | UL 1449 : Transient Voltage Surge Suppressors |
| IEEE C62.41 | Guide on the Surge Environment in Low-Voltage (1000 V and Less) AC Power Circuits |

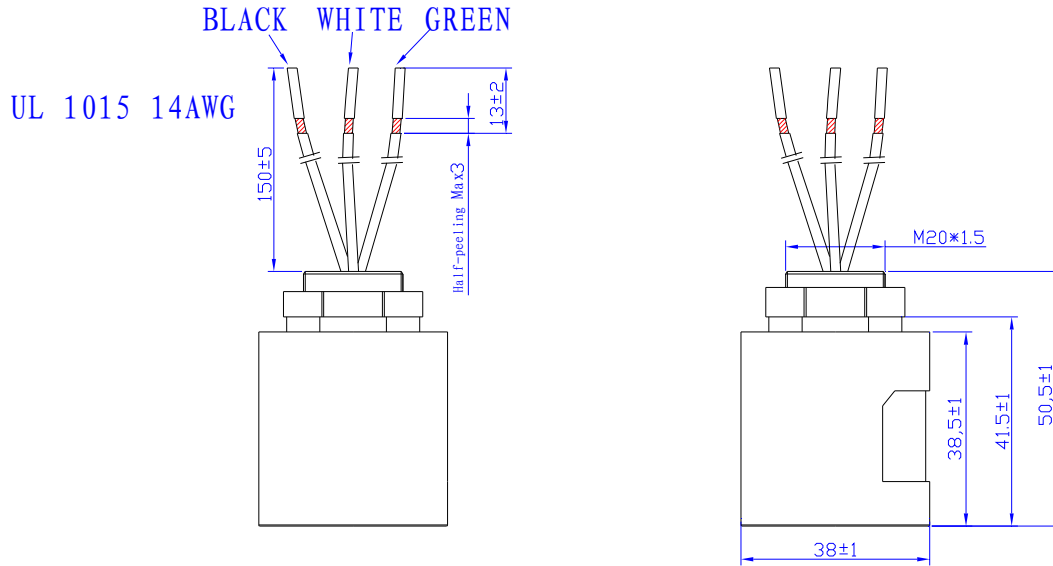
PY-20KS10KTTN



PY-20KS10KTTN

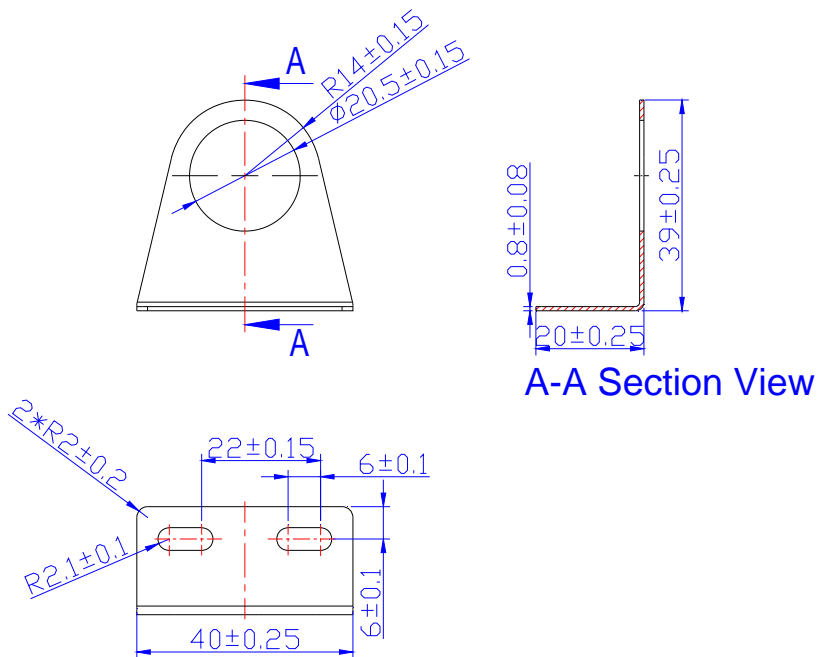


PY-20KS10KTTN



Optional Bracket:

BRU-20KS10KT



This device is used to fix the surge protector to the housing and it can be ordered separately.

| | | | | |
|------------|---|-------------------|---|---|
| | | | | |
| | | | | |
| 2015-04-24 | A | Datasheet Release | / | / |