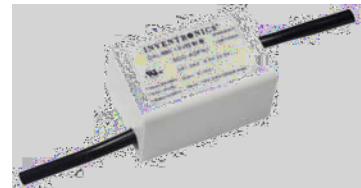
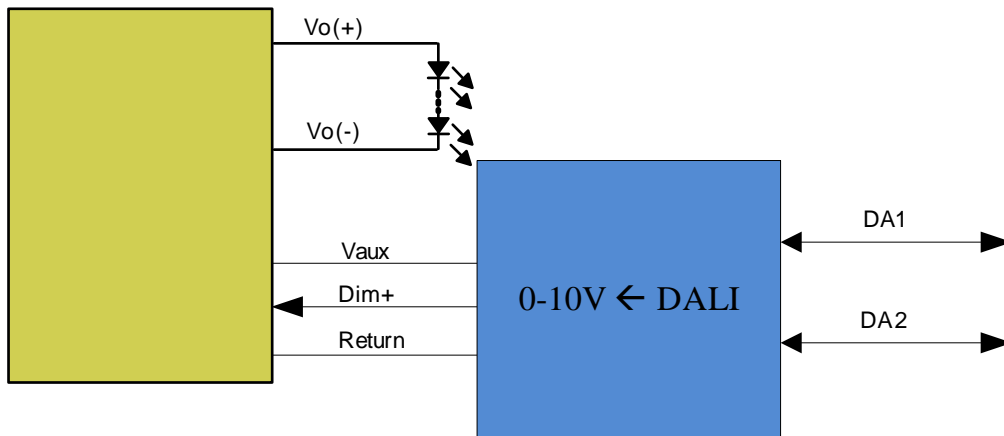


- DALI 0-10V
- DALI
- DALI
- IP66



DALI DALI LED 0-10V DALI IEC62386-101,102,
207



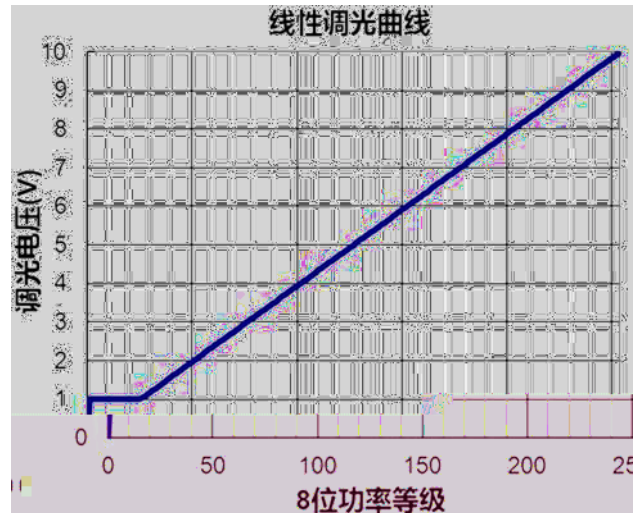
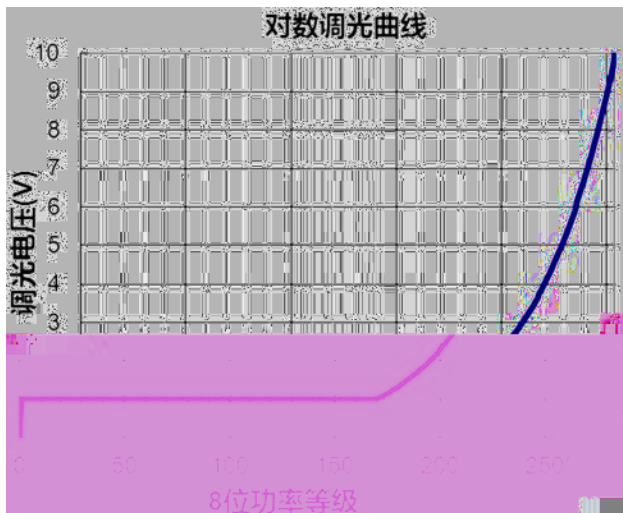
UL ()	UL ()	SDD-ADFN 1 ⁽¹⁾
UL	UL ()	SDD-ADFN 2 ⁽¹⁾
UL	UL	SDD-ADFN 3 ⁽¹⁾
VDE ()	VDE ()	SDD-ADFN 4 ⁽²⁾
VDE	VDE ()	SDD-ADFN 5 ⁽²⁾
VDE	VDE	SDD-ADFN 6 ⁽²⁾

1 UL, FCC, CE
2 FCC, CE, CB, TUV, CQC

Vaux	10V	12V	24V	100%Io
	9.5V	-	10V	EUC-075S, EUC-100S EUC-120S.
Vaux	-	-	20mA	
	-	-	10mA	EUC-075S, EUC-100S EUC-120S.
DA1,DA2	9.5V	16V	22.5V	
DA1,DA2	-6.5V	0V	6.5V	
DA1,DA2	0mA	-	2mA	

Dim+	0V	-	10V	Vaux 11.5V
	0V	-	(Vaux-1.2)V	9.5V Vaux 11.5V
Dim+ sink	0mA	-	15mA	

DALI 227 207



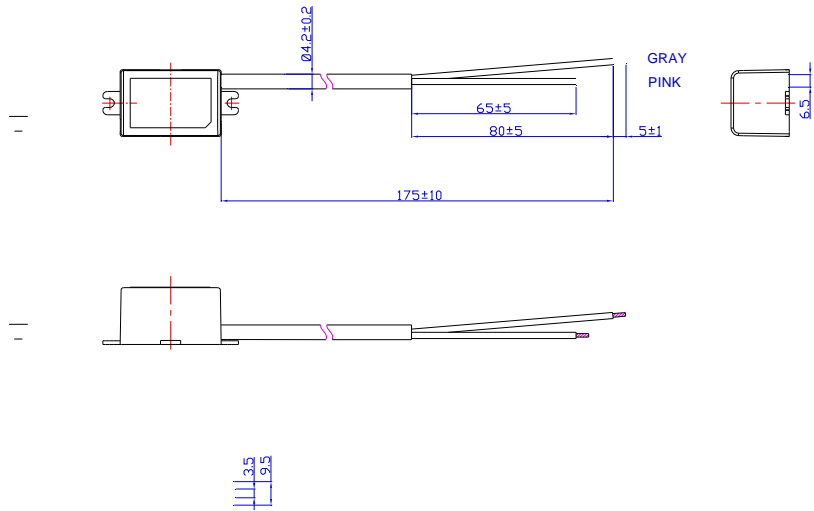
	-20 °C	-	+90 °C	
(L × W × H)	1.58 × 1.07 × 0.87			
(L × W × H)	40.2 × 27.2 × 22			
	-	50 g	-	

	-20	-	+70	
	-20	-	+85	5%RH to 100%RH

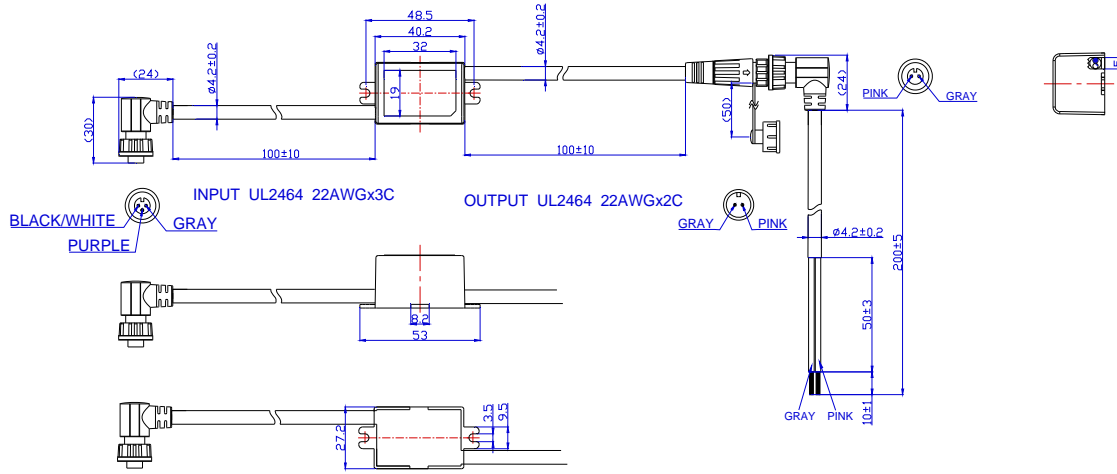
UL/CUL	UL8750,CAN/CSA-C22.2 No. 250.13
CE	EN 61347-1, EN61347-2-11
EN 55015 ⁽¹⁾	Conducted emission Test & Radiated emission Test
FCC Part 15 ⁽¹⁾	ANSI C63.4 Class B
	This device complies with Part 15 of the FCC Rules. Operation is subject to the following two conditions: [1] this device may not cause harmful interference, and [2] this device must accept any interference received, including interference that may cause undesired operation.
EN 61547	Electromagnetic Immunity Requirements Applies To Lighting Equipment

1 SDD-ADFNx LED

SDD-ADFN1

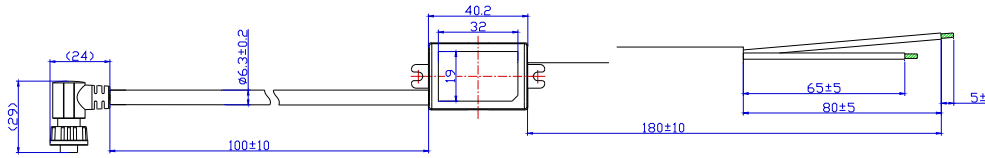


SDD-ADFN3



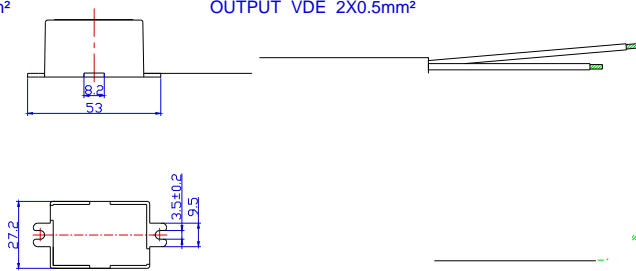
Unspecified tolerance: ±1

SDD-ADFN5



INPUT VDE 3X0.5mm²

OUTPUT VDE 2X0.5mm²



PROJ.
Unspecified tolerance: ± 1

●

8	YAAA AAA1 0000 1000	
9	YAAA AAA1 0000 1001	
10 11	YAAA AAA1 0000 101X	a
12 15	YAAA AAA1 0000 11XX	a
16 31	YAAA AAA1 0001 XXXX	
32	YAAA AAA1 0010 0000	
33	YAAA AAA1 0010 0001	DTR
34 35	YAAA AAA1 0010 001X	a
36 39	YAAA AAA1 0010 01XX	a
40 41	YAAA AAA1 0010 100X	a
42	YAAA AAA1 0010 1010	DTR
43	YAAA AAA1 0010 1011	DTR
44	YAAA AAA1 0010 1100	DTR
45	YAAA AAA1 0010 1101	DTR
46	YAAA AAA1 0010 1110	DTR
47	YAAA AAA1 0010 1111	DTR
48 63	YAAA AAA1 0011 XXXX	a
64 79	YAAA AAA1 0100 XXXX	DTR
80 95	YAAA AAA1 0101 XXXX	
96 111	YAAA AAA1 0110 XXXX	
112 127	YAAA AAA1 0111 XXXX	
128	YAAA AAA1 1000 0000	DTR
129	YAAA AAA1 1000 0001	
130 131	YAAA AAA1 1000 001X	a
132 135	YAAA AAA1 1000 01XX	a
136 143	YAAA AAA1 1000 1XXX	a
145	YAAA AAA1 1001 0001	
148	YAAA AAA1 1001 0100	
149	YAAA AAA1 1001 0101	
150	YAAA AAA1 1001 0110	
151	YAAA AAA1 1001 0111	
152	YAAA AAA1 1001 1000	DTR



153	YAAA AAA1 1001 1001	
154	YAAA AAA1 1001 1010	
155	YAAA AAA1 1001 1011	
156	YAAA AAA1 1001 1100	DTR1
157	YAAA AAA1 1001 1101	DTR2
158 159	YAAA AAA1 1001 111X	a
161	YAAA AAA1 1010 0001	
162	YAAA AAA1 1010 0010	
163	YAAA AAA1 1010 0011	
164	YAAA AAA1 1010 0100	
165	YAAA AAA1 1010 0101	/
166 167	YAAA AAA1 1010 011X	a
168 175	YAAA AAA1 1010 1XXX	a
176 191	YAAA AAA1 1011 XXXX	0 15
192	YAAA AAA1 1100 0000	0 7
193	YAAA AAA1 1100 0001	8 15
194	YAAA AAA1 1100 0010	H
195	YAAA AAA1 1100 0011	M
196	YAAA AAA1 1100 0100	L
197	YAAA AAA1 1100 0101	
198 199	YAAA AAA1 1100 011X	a
200~207	YAAA AAA1 1100 1XXX	a
208~215	YAAA AAA1 1101 0XXX	a
216 223	YAAA AAA1 1101 1XXX	a
227	YAAA AAA1 1110 0011	
228	YAAA AAA1 1110 0100	DTR
229	YAAA AAA1 1110 0101	a
230 – 231	YAAA AAA1 1110 011X	a
232 – 235	YAAA AAA1 1110 10XX	a
236	YAAA AAA1 1110 1100	a
238	YAAA AAA1 1110 1110	
253	YAAA AAA1 1111 1101	

●

254	YAAA AAA1 1111 1110	
255	YAAA AAA1 1111 1111	
256	1010 0001 0000 0000	
257	1010 0011 XXXX XXXX	DTR
258	1010 0101 XXXX XXXX	
259	1010 0111 0000 0000	

2013-12-02	A		/	/
2014-01-07	B		/	
2014-08-07	C	SDD-ADFN 3 & SDD-ADFN 6	/	
			/	
			/	
2015-07-30	D		/	
		FCC, CE, CB, TUV, CQC	/	
2016-10-19	E		/	
2017-07-28	F		/	
		- SDD-ADFN1	/	
2021-07-29	G	CQC	/	
			/	
		RoHs	/	